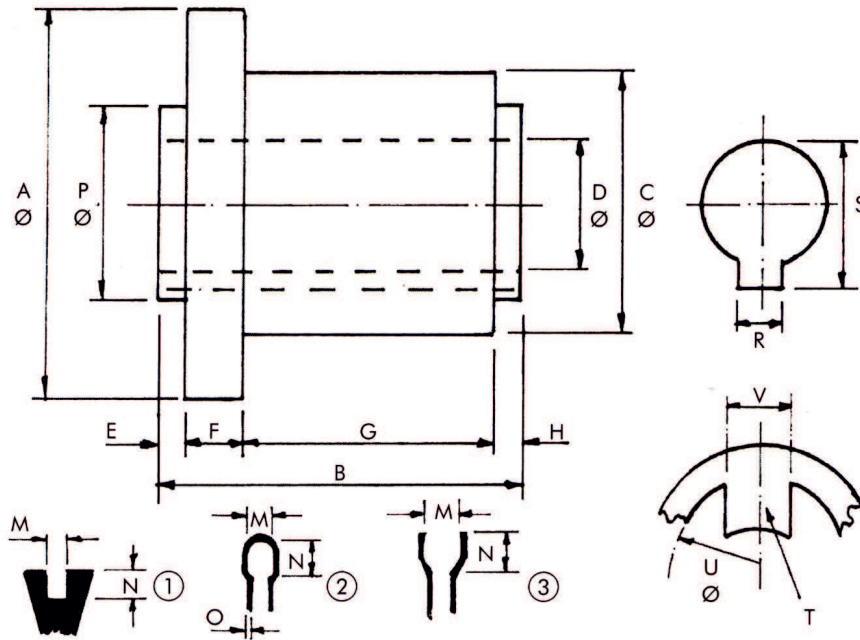




Tel. +44(0)1423 320008  
Fax +44(0)1423 322672  
Email sales@watsonelectric.co.uk  
Web www.watsonelectric.co.uk

Customer	Contact	Order No
Address	Tel No	Date
	Fax No	

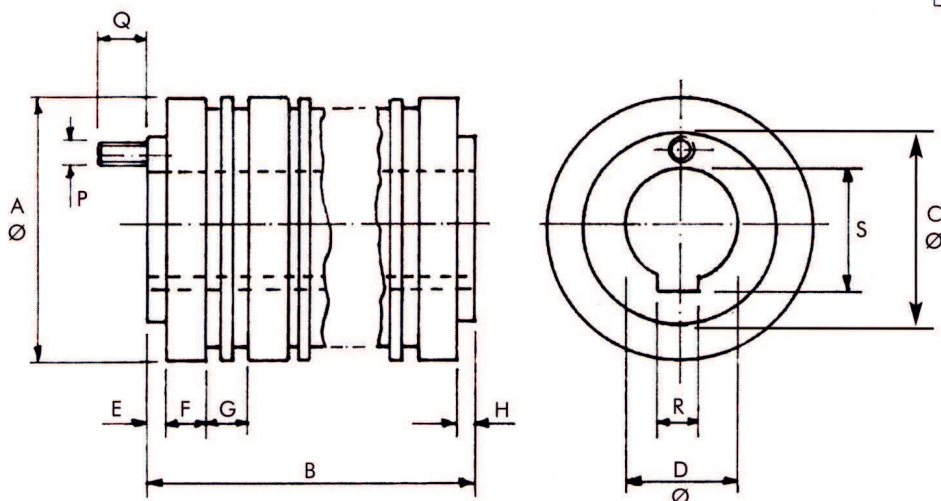
**COMMUTATOR**  
ALL DIMENSIONS IN MM



QUANTITY			
No OF SEGMENTS			
Ø A			
B			
Ø C			
Ø D			
E			
F			
G			
H			
RISER	1	2	3
M			
N			
O			
Ø P			
R			
S			
No T			
U			
V			

**SLIPRING**

ALL DIMENSIONS IN MM



QUANTITY	
No OF RINGS	
Ø A	
B	
Ø C	
Ø D	
E	
F	
G	
H	
P	
Q	
R	
S	

*If in doubt please forward a sample, drawing or consult with our sales office*

**FOR OFFICE USE ONLY**

Contract Reviewed	Product Code	Stock	Price	Motor Manufacturer
Sign: _____	Date: _____			Date Required